

SOD-523 SCHOTTKY BARRIER DIODE

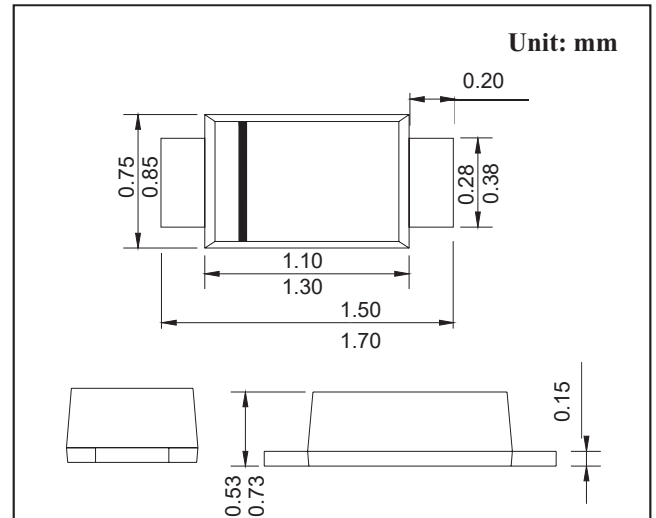
VOLTAGE RANGE: 30V
PEAK PULSE POWER:150mW

FEATURES

- Low Forward Voltage Drop
- Guard Ring Construction for Transient
- Protection Negligible Reverse Recovery Time
- Very Low Reverse Capacitance

MECHANICAL DATA

- Case: SOD-523 Small Outline Plastic Package
- Polarity: Color band denotes cathode end
- Mounting Position: Any



MAXIMUM RATINGS AND CHARACTERISTICS

@ 25°C Ambient Temperature (unless otherwise noted)

Parameter	Symbol	Limit	Unit
Non-repetitive peak reverse voltage	VRM	30	V
DC blocking voltage	VR	21	V
Average rectified output current	IO	100	mA
Forward continuous current	IF	200	mA
Repetitive peak forward current	IFRM	300	mA
Non-repetitive Peak Forward surge current @t=8.3ms	IFSM	600	mA
Power dissipation	Pd	150	mW
Thermal resistance junction to ambient	RθJA	667	°C/W
Junction temperature	TJ	125	°C
Storage temperature range	TSTG	-55~+150	°C

Electrical Specification (TA=25°C unless otherwise specified)

Parameter	Symbol	Conditions	Min	Typ	Max	Unit
Reverse breakdown voltage	$V_{(BR)}$	$I_R=100\mu A$	30			V
Forward voltage	V_{F1}	$I_F=0.1mA$			240	mV
	V_{F2}	$I_F=1.0mA$			320	mV
	V_{F3}	$I_F=10mA$			400	mV
	V_{F4}	$I_F=30mA$			500	mV
	V_{F5}	$I_F=100mA$			1000	mV
Reverse current	I_R	$V_R=25V$			2.0	uA
Reverse recovery time	t_{rr}	$I_F=10mA, I_R=10mA$ to 1mA , $R_L=100\Omega$			5.0	ns
Capacitance between terminals	C_T	$V_R=1V, f=1MHz$			10	pF

MARKING: JV

RATINGS AND CHARACTERISTIC CURVES

